

*Close to You*

MAUER LOCKING SYSTEMS Ltd. is a Bulgarian-Dutch-German holding, specialized in the production of profile cylinders, locks, handles, safe boxes and Master Key Systems since 1990.

What can we offer you?

**Reasonable prices and Production flexibility:** These are our main comparative advantages on the international market and the main reason for the good acceptance of the products of MAUER LOCKING SYSTEMS worldwide. Because of the new technologies we have the possibility to produce mass production without losing our flexibility. We can produce unique products according to customer's wish.

**High Quality:** The products of MAUER LOCKING SYSTEMS are developed by experts with more than 20 years experience in the locking systems. The quality of the products is tested in certified labs across Europe, such as SKG in Holland, MABISZ

in Hungary, VdS in Germany. The whole production process is supervised by the Quality Control System ISO 9001.

**Short Delivery Time:** We offer you short delivery terms from 1 to 4 weeks, depending on the quantity ordered. Small Master Key Systems are produced in our workshops within 48 hours.

**Long term service and customer relationship:** Our high qualified specialists are ready to answer every question of yours. Anytime we can deliver all kinds of accessories. MAUER LOCKING SYSTEMS has developed its own service network in Bulgaria and across Europe, what helps us offering all services around the locking systems as flexible as possible.

These are the reasons why for their security on our company rely customers, bank and state institutions in Bulgaria, Holland, Moldavia, England, Belgium, Macedonia, Serbia, Poland, Hungary, Austria, Romania, Russia and many more.



NW4 2009, First edition



**NW4**  
**HIGH SECURITY**  
**PROFILE CYLINDER**

# HIGH SECURITY PROFILE CYLINDER

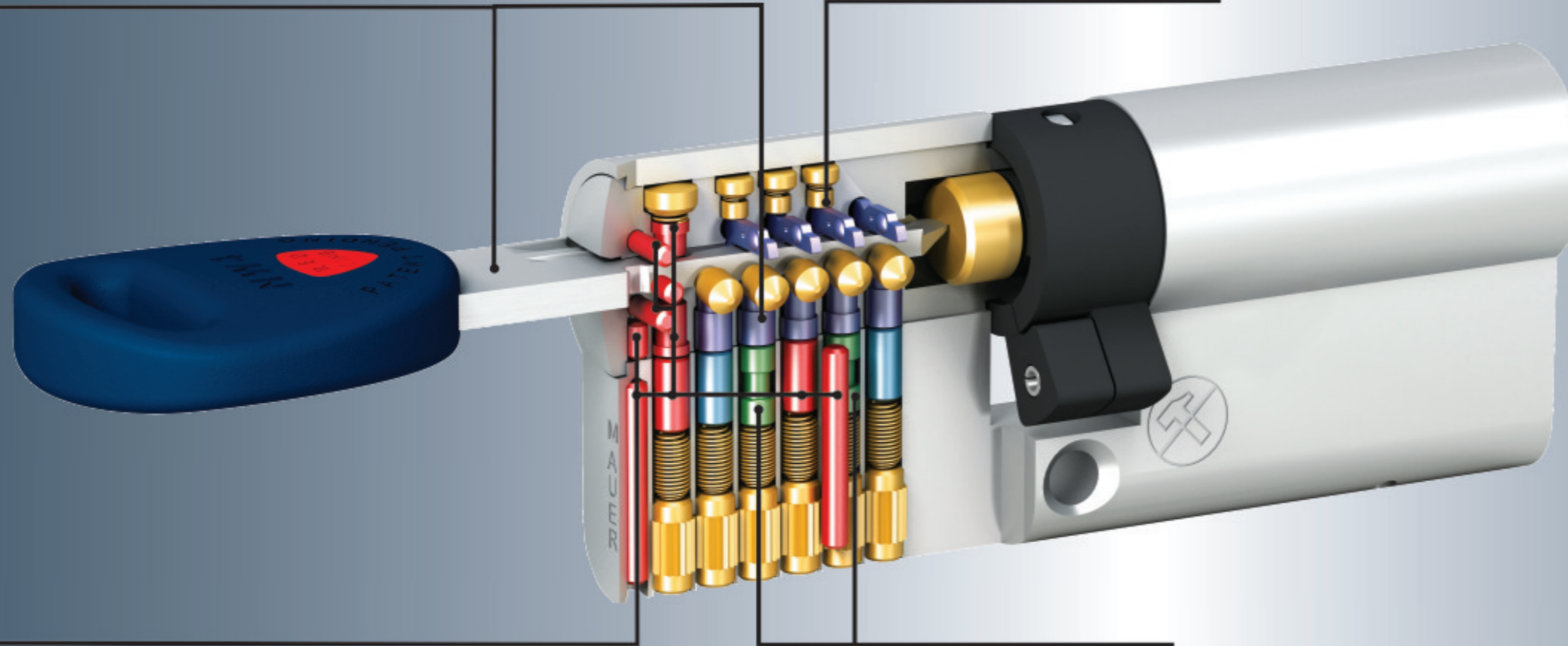
## NW4

### PINS AND KEY OF NEWSILVER,

which guarantee high resistance against wear-off.

### ANTI-BUMPING PROTECTION,

consisting of levers with a special design combined with active pins.



### COMPLEX ANTI DRILLING PROTECTION,

consisting of hardened steel pins in the body and the rotor of the cylinder.

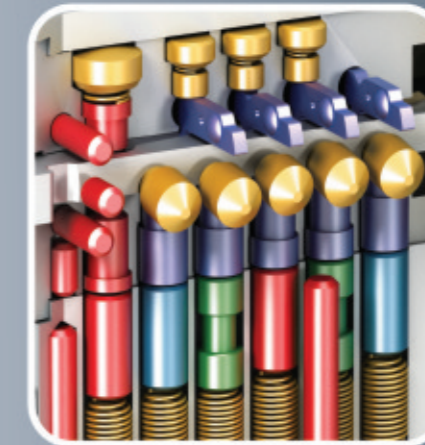
### ANTI-PICKING PROTECTION,

consisting of pins with a special construction.



### 300% HIGHER BREAKING RESISTANCE,

guaranteed by a specially designed, patented cam of the cylinder.



### PATENTED SYSTEM NW 4,

consisting of 4 types of encoding elements:  
- Rollers in the key;  
- Basic active row of pins;  
- Side row of pins;  
- Wave channel in the key, combined with special levers.



### PATENTED DESIGN OF THE KEY AGAINST ILLEGAL DUPLICATE ATTEMPTS

through active, freely moving rollers, implemented in the key.



### ERGONOMIC KEYBOW

of the key, elegantly designed.



### PLASTIC CODE CARD FOR PERFECT SECURITY

Duplicates of the key can be made only in authorized by "Mauer Locking Systems" service centers.